

ASDPure™



REDEFINING THE FUTURE

A QUANTUM LEAP IN PURIFICATION PERFORMANCE

The ASDPure™ is a heated getter-based noble gas purifier. Get the most of your analytical instruments with the dual heated getter technology (Single vessel optional). Enhances the lifetime and purification performance.

UNIQUE FEATURES

- Improved performance and twice the lifetime of other purifiers on the market with dual vessels purification process
- No H₂ release with dual vessel design
- ASDPure™ purifies Ar, He, Ne, Xe and Kr (N₂ purification optional)
- Higher flow capacity: 300 mL/min nominal flow (1L/min optional)

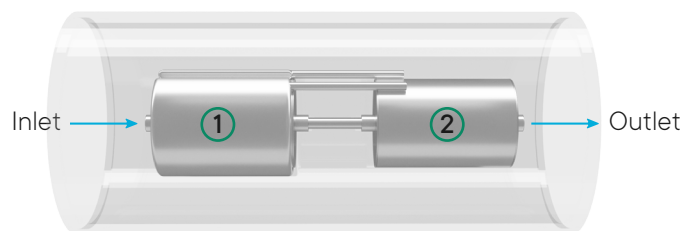
APPLICATIONS

- Carrier gas purifier
- Zero gas generator for calibration of on-line analyzers
- Reference gas generator for TCD analyzers
- Mass spectrometer
- Perfect for all kinds of detector: plasma (Epd, PED), HID, DID, FID, PID, TCD, ECD, etc.

DUAL VESSEL PURIFICATION PROCESS

ASDPure is configured with a dual vessel purification process (Single vessel optional). The proprietary dual stage purification design unlocks a better purification process and higher performances.

- ① High temperature (400 °C) first stage to remove all the main impurities such as O₂, N₂, HCs, CO, CO₂, H₂O, VOCs
- ② Lower temperature (180 °C) second stage to remove H₂



Dual vessel purification process

ENHANCED BY



Leak detection capability

Better leak integrity

No dead volume

Compatible with the industrial standard double ferrule type

All ASD products respect CE/RoHS (CSA optional) standards.

* = patent pending

ASDevices is a fully owned Canadian company that is proud to design and manufacture its products in Canada



SPECIFICATIONS

Gas purified	Ar, He, Ne, Xe, Kr (N ₂ optional)
Impurities removed	H ₂ O, O ₂ , CO, CO ₂ , H ₂ , THC, CH ₄ , N ₂
Impurity level achievable	<5 ppb or <1 ppb with dual vessel and LipLOK™/VCR™
Nominal flow	300 mL/min (1 L/min in option)
Fitting connections	ASD LipLOK™ fitting, compatible with Swagelok™ double ferrule type or VCR™
Supply voltage	115 VAC or 220 VAC, 50-60 Hz
Power consumption	20 watts
Weight	1,6 kg (3,53 lbs)
Dimensions (H x W x D)	300 x 82 x 82 mm (11,81 x 3,23 x 3,23 in)

AMERICA

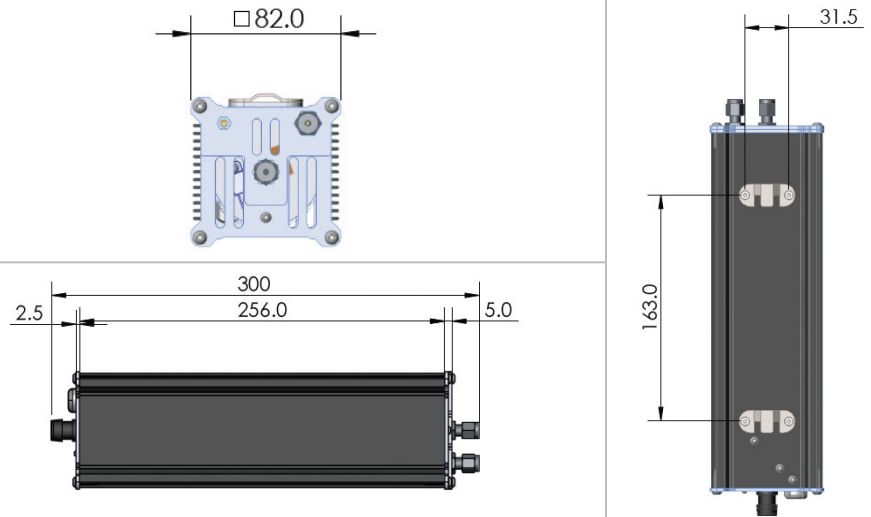
233 Jalbert, Thetford Mines, (Québec), Canada, G6G 7W1
info@asdevices.com
T: 418-338-0299

EUROPE

Rudolf Diesel Strasse 12 A D-65760 Eschborn, Germany
europe_sales@asdevices.com
T: +49-6173-320078

ASIA

No.11, Lane 288, Yongchang Road, Shanghai
asia_sales@asdevices.com
T: +86 138 1765 1588



APURE-A-B-C-03-E-S-G	300	Single	< 10	< 5
APURE-A-B-C-03-E-D-G	300	Dual	< 10	< 1
APURE-A-B-C-10-E-D-G	1000	Dual	< 10	< 1

* Optimum outlet
purity achieved
with purifier
outlet pressure
above 50 PSIG

** Hydrogen impurity
< 5ppb

*** With 5N purity
inlet gas

	VESSEL CONFIGURATION		OUTLET PURITY (ppb)*	
	NOMINAL FLOW (mL/min)	VESSEL TECHNOLOGY	SWAGELOK™	VCR™ / LipLOK™
APURE-A-B-C-03-E-S-G	300	Single	< 10	< 5
APURE-A-B-C-03-E-D-G	300	Dual	< 10	< 1
APURE-A-B-C-10-E-D-G	1000	Dual	< 10	< 1

PRODUCT NOMENCLATURE

Product part number: **APURE-A-B-C-DD-E-F-G**

PARAMETER	OPTIONS	
A	1 2	115 VAC version 220 VAC version
B	0 1 2	Double ferrule type fitting VCR™ type fitting LipLOK™
C	0 1	1/8" fitting type 1/4" fitting type
DD	03 10	300 mL/min 1000 mL/min
E	0 1 2 3 4	North american plug European plug UK plug Chinese plug Others (no plug or specified)
F	S D	Single vessel Dual vessel
G	S N	Standard version (Ar, He, Xe, Ne, Kr) N ₂ version

Information in this paper
is subject to change
without prior notice.

All ASDevices products respect CE/RoHS (CSA optional) standards.

* = patent pending

ASDevices is a fully owned Canadian company that is proud to design and manufacture its products in Canada

www.asdevices.com info@asdevices.com ©copyright 2018 Analytical Sensing Devices

LEGAL DISCLAIMER

THE INFORMATION GIVEN IN THIS DOCUMENT (INCLUDING BUT NOT LIMITED TO CONTENTS OF REFERENCED WEBSITES) IS GIVEN AS A HINT FOR THE IMPLEMENTATION OF OUR PRODUCTS AND TECHNOLOGIES COMPONENT ONLY AND SHALL NOT BE REGARDED AS ANY DESCRIPTION OR WARRANTY OF A CERTAIN FUNCTIONALITY, CONDITION OR QUALITY OF THE ASDEVICES TECHNOLOGIES COMPONENT. THE RECIPIENT OF THIS DOCUMENT MUST VERIFY ANY FUNCTION DESCRIBED HEREIN IN THE REAL APPLICATION. ASDEVICES HEREBY DISCLAIMS ANY AND ALL WARRANTIES AND LIABILITIES OF ANY KIND (INCLUDING WITHOUT LIMITATION WARRANTIES OF NON-INFRINGEMENT OF INTELLECTUAL PROPERTY RIGHTS OF ANY THIRD PARTY) WITH RESPECT TO ANY AND ALL INFORMATION GIVEN IN THIS APPLICATION NOTE. THIS MATERIAL IS PROPRIETARY TO ANALYTICAL SENSING DEVICES AND CANNOT BE COPIED, REPRODUCED OR DISSEMINATED IN ANY WAY WITHOUT ITS PRIOR WRITTEN APPROVAL. THE TECHNOLOGY DESCRIBED HEREIN MAY BE SUBJECT TO PATENT PROTECTION OR OTHER FORMS OF INTELLECTUAL PROPERTY RIGHTS.